

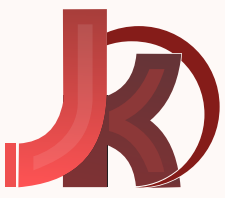
AN ISO 9001 : 2015 CERTIFIED COMPANY

Integration Of Innovation

- Forging
- Machining
- Casting

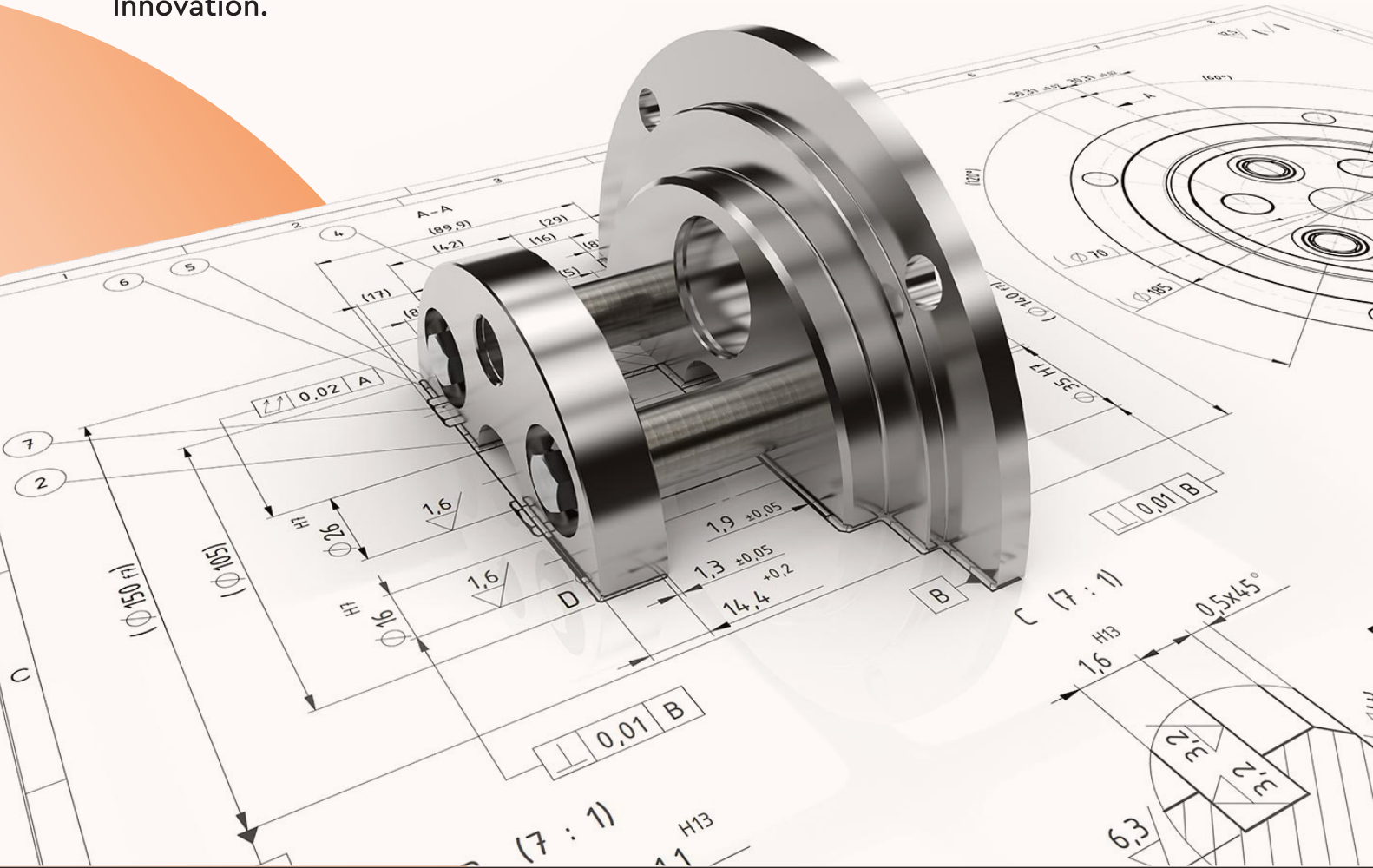
J K Forge With by high
Technology innovation..!

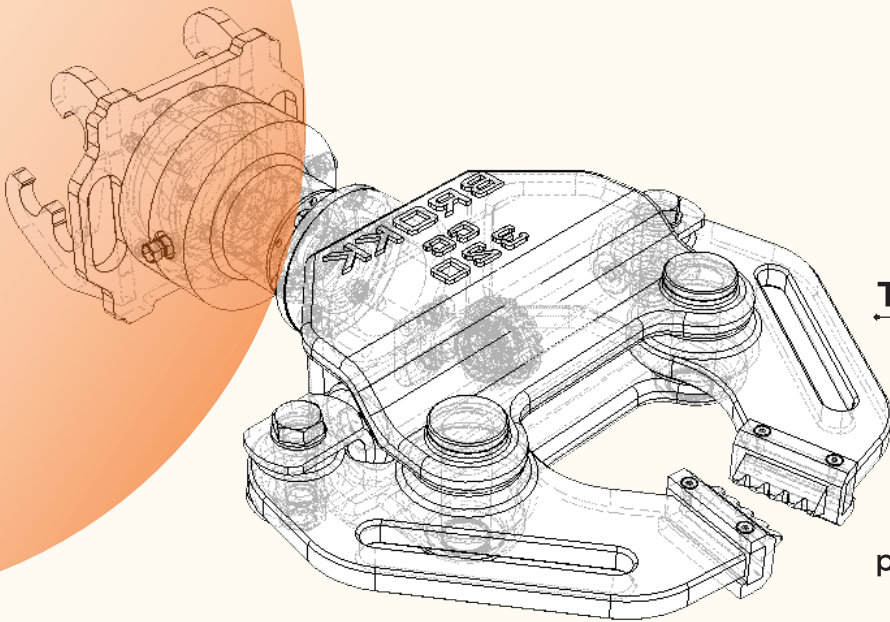
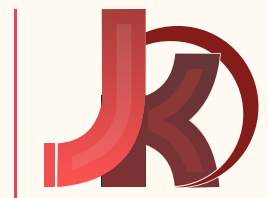




⇒ JK FORGE manufactures quality FORGING & CASTING products for farm equipment, automotive and heavy industries. Spread across a sprawling area of 2,000 sq m, our state-of-the-art manufacturing facility coupled with cutting-edge technical expertise offers quality products and cost-effective solutions that match global standards as well as customer requirements.

⇒ Jk forge is an amalgamation of two positive indicators of success- Synergy and Innovation.





To deliver excellence, we believe in,

FOCUS ON INNOVATION

A part OF JK FORGE DNA, We strive to fuel newer insights and technologies to continuously improve plant performance and product excellence.

➤ GROWTH FOOTPRINT

Powered by quality and productivity. Jk forge sales are well-poised to increase from approximately INR 6 crore to INR 100 crore in the next five years.

This will entail an investment of nearly 10 crore in the same period, 86% of which will be mainly for plant and machinery.

➤ TRUST ON QUALITY

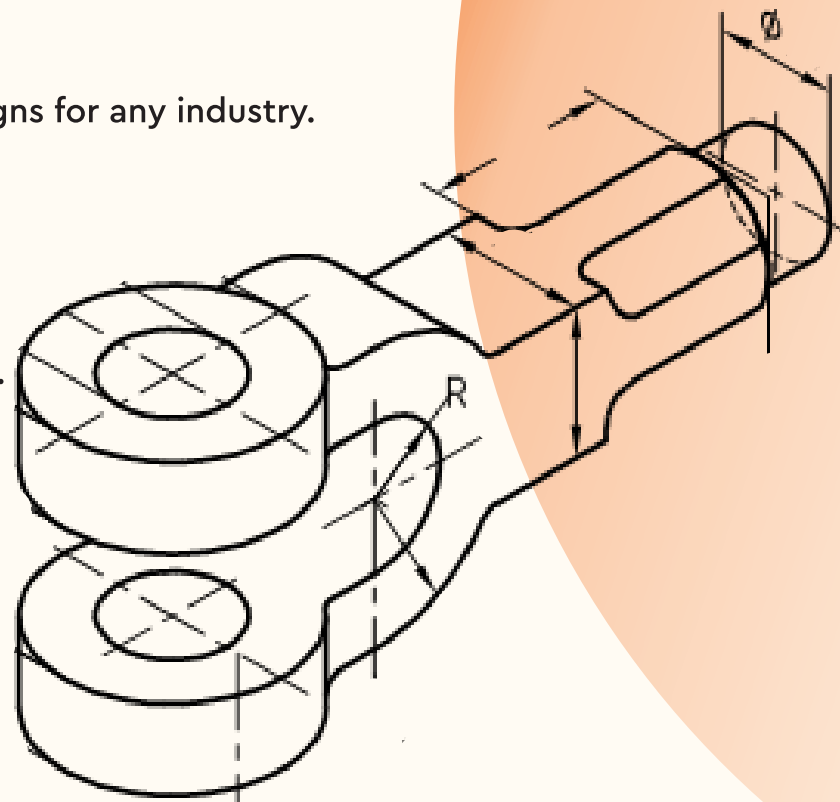
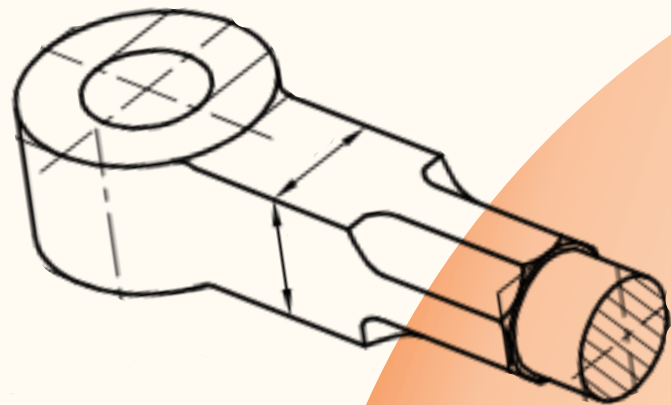
At jk forge, our people are quality conscious and processes are quality certified.

➤ TRUST IN TEAM POWER

We are leveraging the knowledge pool of best in trade talent from varied fields with the aim to provide benchmark forging & casting solutions across industries and geographies.

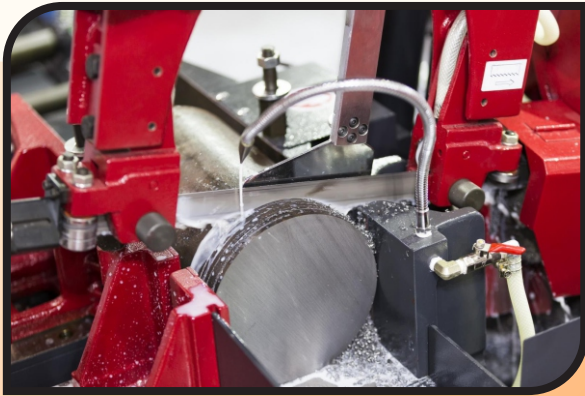
➤ At j k forge you get,

- ◆ All type of forging and casting designs for any industry.
- ◆ Advanced technical expertise.
- ◆ High-quality products and services.
- ◆ World class infrastructure.
- ◆ Customized cost effective solutions.

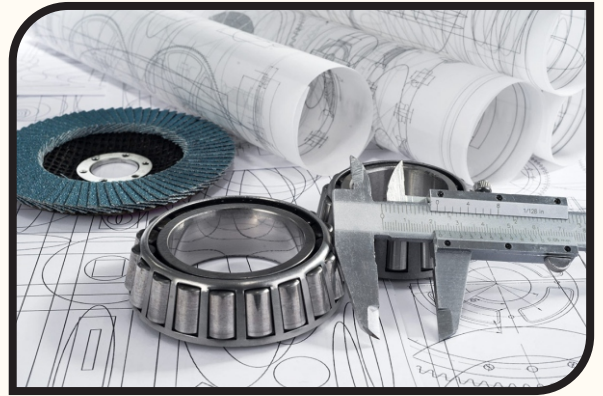




▷ KEY INFRASTRUCTURE AT JK FORGE INCLUDES



BAR CUTTING FACILITY



MEASUREMENT & LAB FACILITY



**ZINC PLATING
ZINC GALVANIZING**



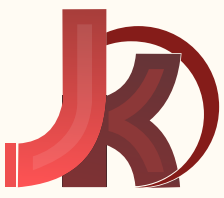
**FORGING & CASTING
DESIGN DEVELOPMENT**



SHOT BLASTING



CNC / VMC



Infrastructure

COMPREHENSIVE FACILITIES>>>
ADVANCED TECHNOLOGIES>>>



Experienced And Dynamic Management When Complemented By World Class Infrastructure, Results In High Quality Product And Services. Keeping Pace With Fast Changing Technology, Jk Forge Has Tied Up With Leading Companies Across The World To Develop An Infrastructure Worthy Of A Leader.

The Jk Forge Facility Comprises Globally Benchmarked Divisions Covering The Entire Spectrum From Product Development To Dispatch.

This Enables Us To Provide Accelerated Development Plus Services, Such As Reverse Engineering To Aid Indigenization Programs.



▷ Products:

Innovation and customization is at the heart of every product and service we deliver. A rich repertoire of experience, best technology and skill sets enable us at jk forge to offer you, products and services as per your specific requirement, without compromising on quality, and at the same time, being kind to your budget.

Be it any forging and casting design for any industry, we at jk forge deliver the best at the right time.

⇒ OUR PRODUCTS AND SERVICES INCLUDE



Automotive



Railway



Upset Forging



Pipe Fittings



Oil & Gas



Defense



Power Transmission



CNC Machined

⇒ JK ADVANTAGES

- ↳ COST EFFICIENCY
- ↳ TIMELY DELIVERY
- ↳ IMPECCABLE SERVICE
- ↳ READY TO USE PRODUCTS
- ↳ IN DEPTH UNDERSTANDING OF OPERATIONS
- ↳ VALUE ENGINEERING AND VALUE ANALYSIS
- ↳ CUSTOMISATION CAPABILITIES



**J K FORGE PRIVATE LIMITED,
CHAITANYA INDUSTRIAL AREA,
SHAPAR (VERAVAL), RAJKOT 360024.**



**JAYESH PATEL +91 97379 54900
PARESH PATEL +91 98792 17031
NILESH PATEL +91 99094 73064
TARUN PATEL +91 88662 72793**

**INFO@JKFORGEINDIA.COM
SALES@JKFORGEINDIA.COM**

JKFORGEINDIA.COM

